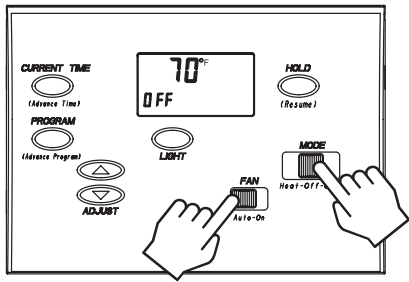
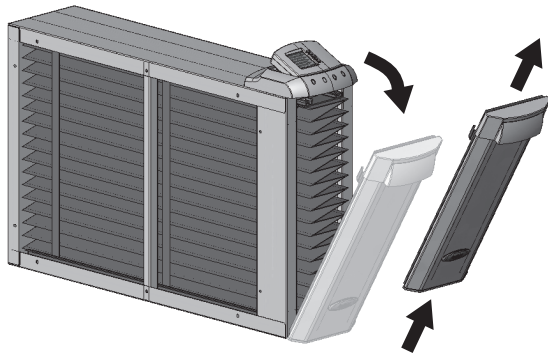


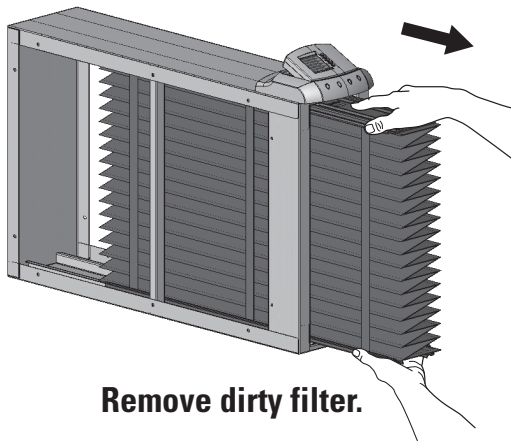
# Model 213, 313 & 413 Media Installation



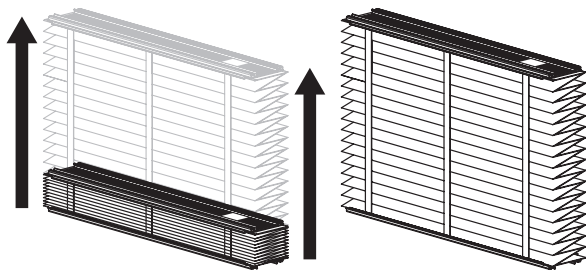
**IMPORTANT: Turn thermostat mode to OFF.  
Turn fan to AUTO.**



**Remove door.**

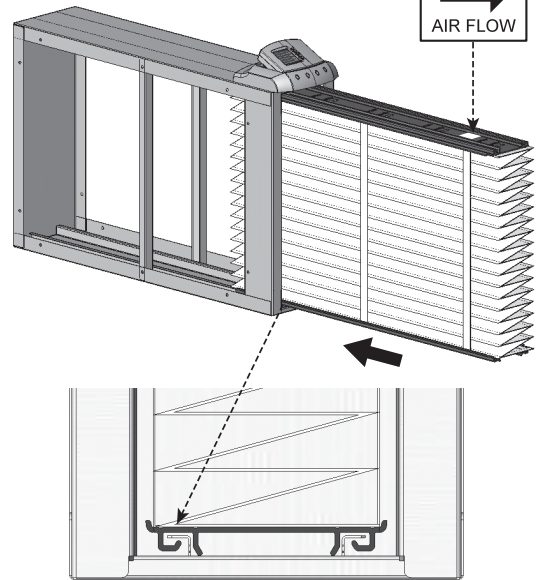


**Remove dirty filter.**

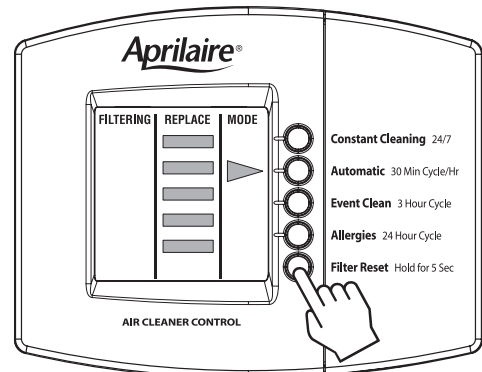


**Expand clean filter.**

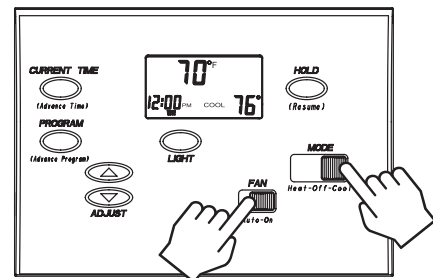
Install filter with Air Flow pointing toward Furnace or Air Handler.



**Align filter in top and bottom rails  
and slide into place. Reinstall door.**



**Press Reset on air cleaner control.  
Control may be mounted in living space.**



**Return thermostat to original settings.**

**Aprilaire®**  
Feel Good. Inside.™